



# HELICOPTER REFUELING SYSTEM

## HRS-JT/10 & HRS-JT/20

### Independent Refueling station

- Operable by pilot
- Tank sizes 10-20 m<sup>3</sup>
- According JIG standards
- For JETA1/Avgas

### Operating room

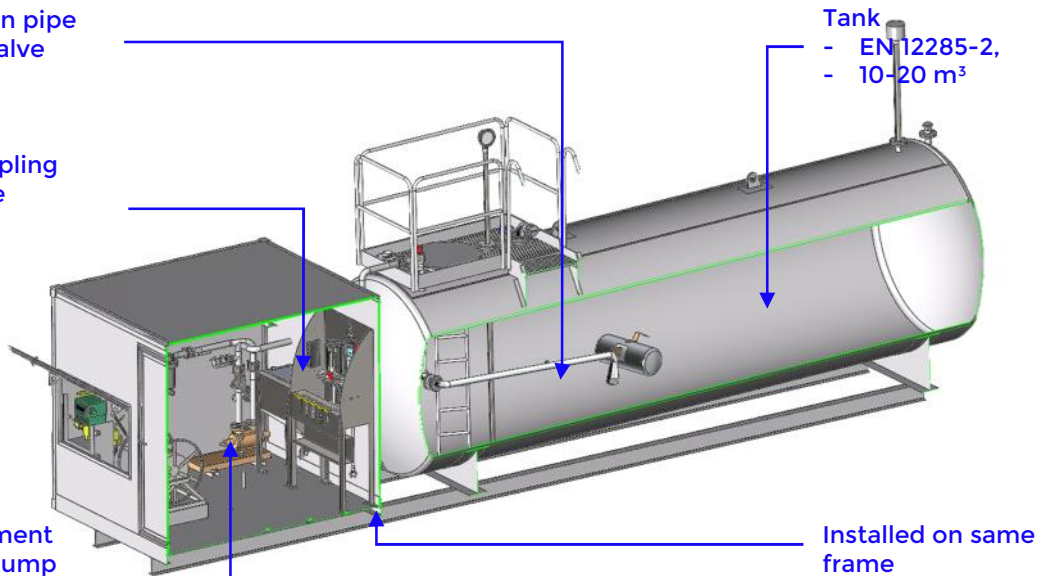
- Sampling protected from weather
- Equipment locked safely inside
- Large space for maintenance
- Lights inside room (EX Zone1)



Floating suction pipe  
- With check valve

Sampling unit  
- Closed sampling  
- Samples are metered  
- Drain tank

Pump compartment  
- Centrifugal pump  
- Hydr. Hose reel  
- FWS for refueling  
- Preset meter



## FILTERING

- Monitor filter for filling
- FWS filter for refueling



## METERING

- Preset function
- Mechanical or digital display
- Air eliminator/Check valve



## PUMP

- Electric EX II 2G pump
- Long working life
- Pressure control valve



## SAMPLING UNIT

- Closed sampling
- Meter for samples
- Cyclone

## Jet-Tekno Oy

Nuutisarankatu 12  
FIN-33900 Tampere  
FINLAND



Tel. +358 3 233 8800  
Fax. +358 3 233 8877



jet-tekno@jet-tekno.fi  
www.jet-tekno.fi